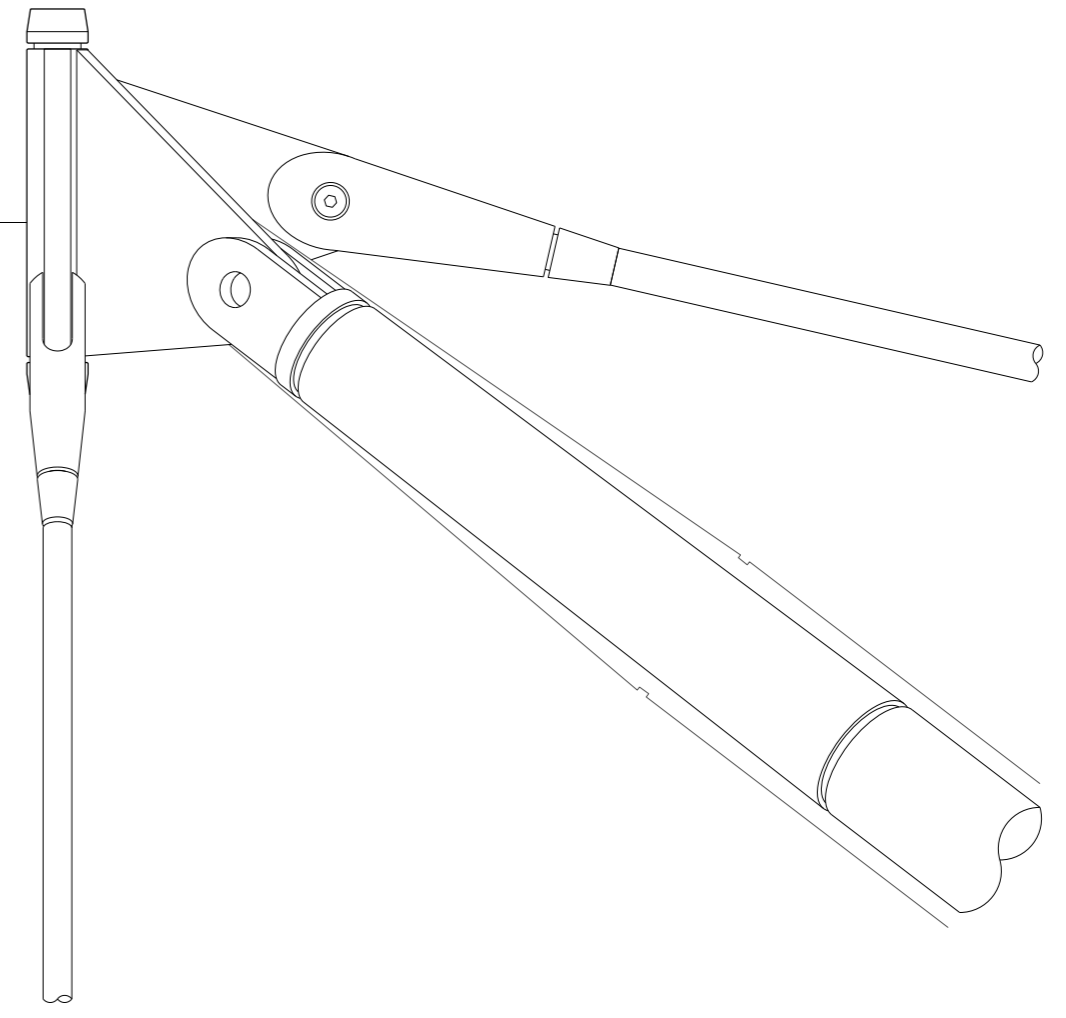
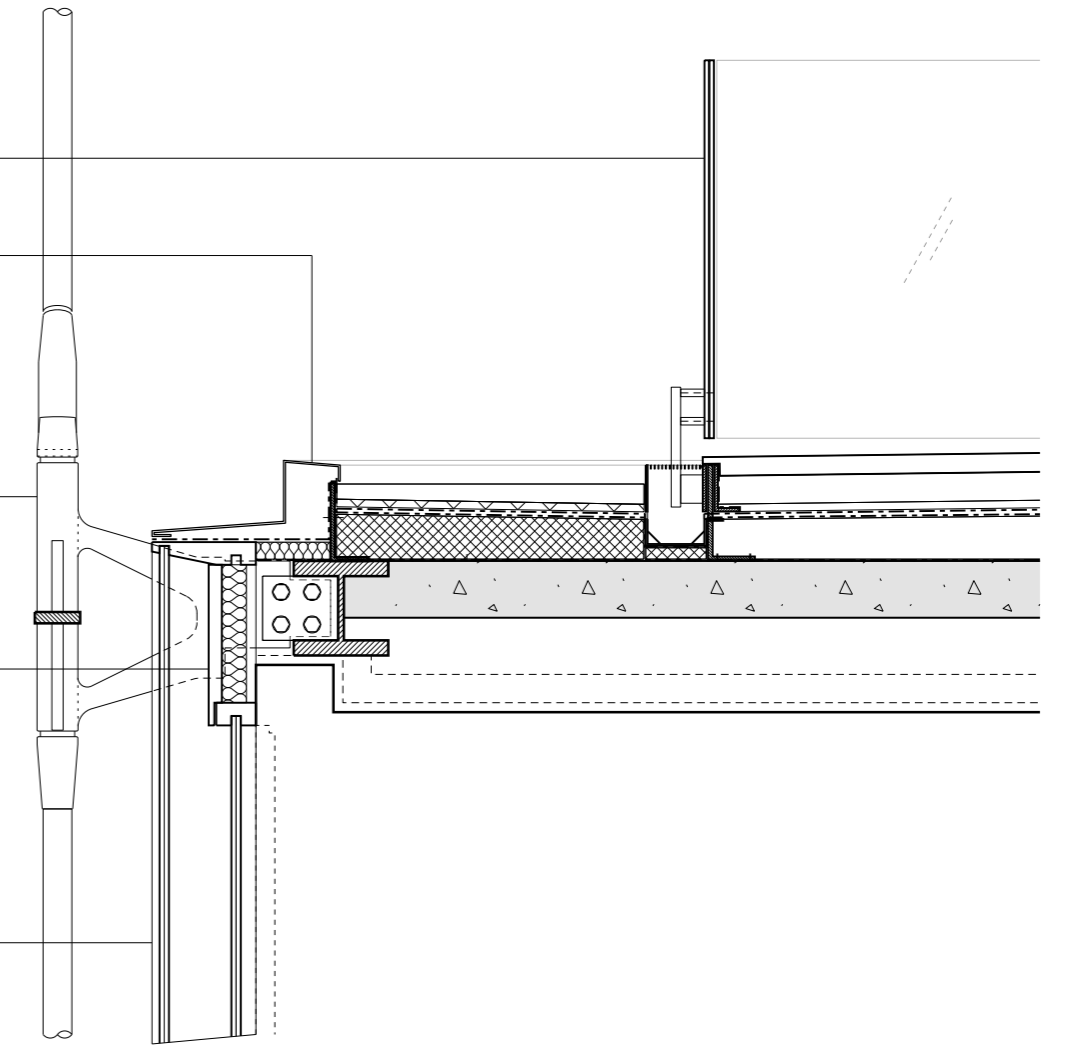


Crown steelwork, Macalloy
and Mast node

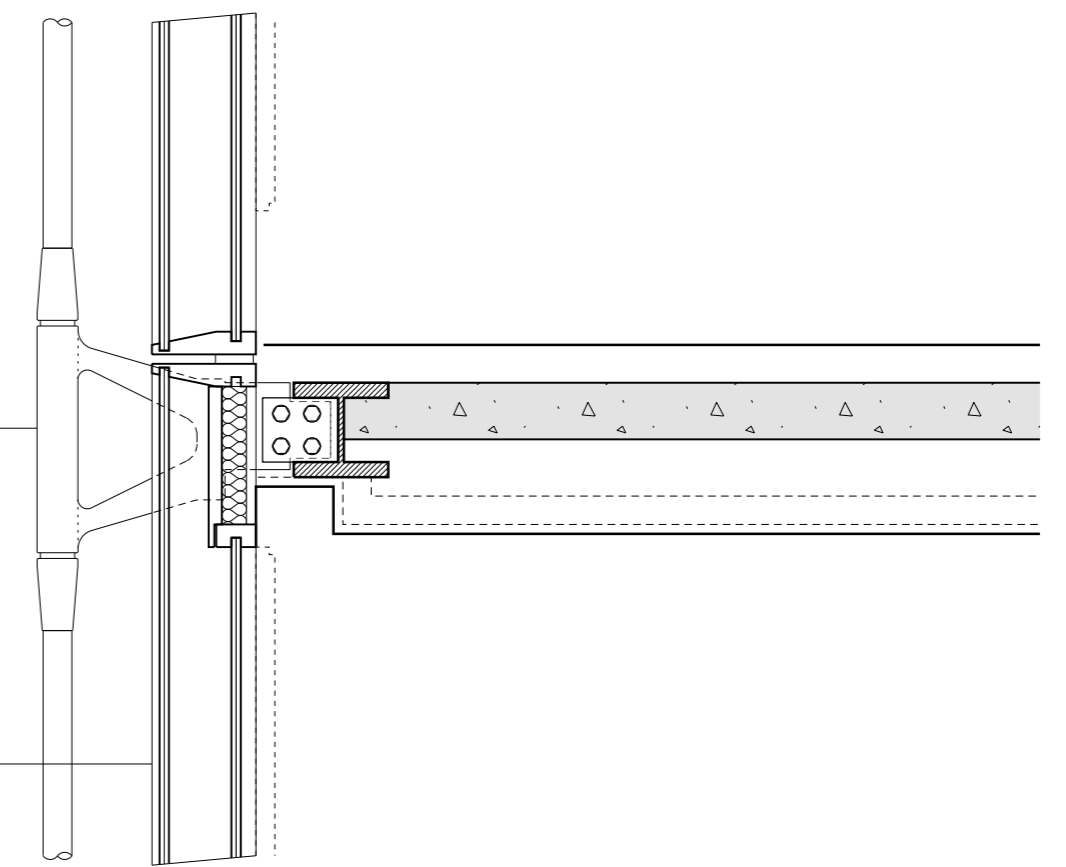


Penthouse glass balustrade
Aluminium coping with pebble
margin and channel drain
Macalloy hanger arm with central
bay tie at Level 09
Engineered stone spandrel
Closed cavity facade system
with internal timber lining



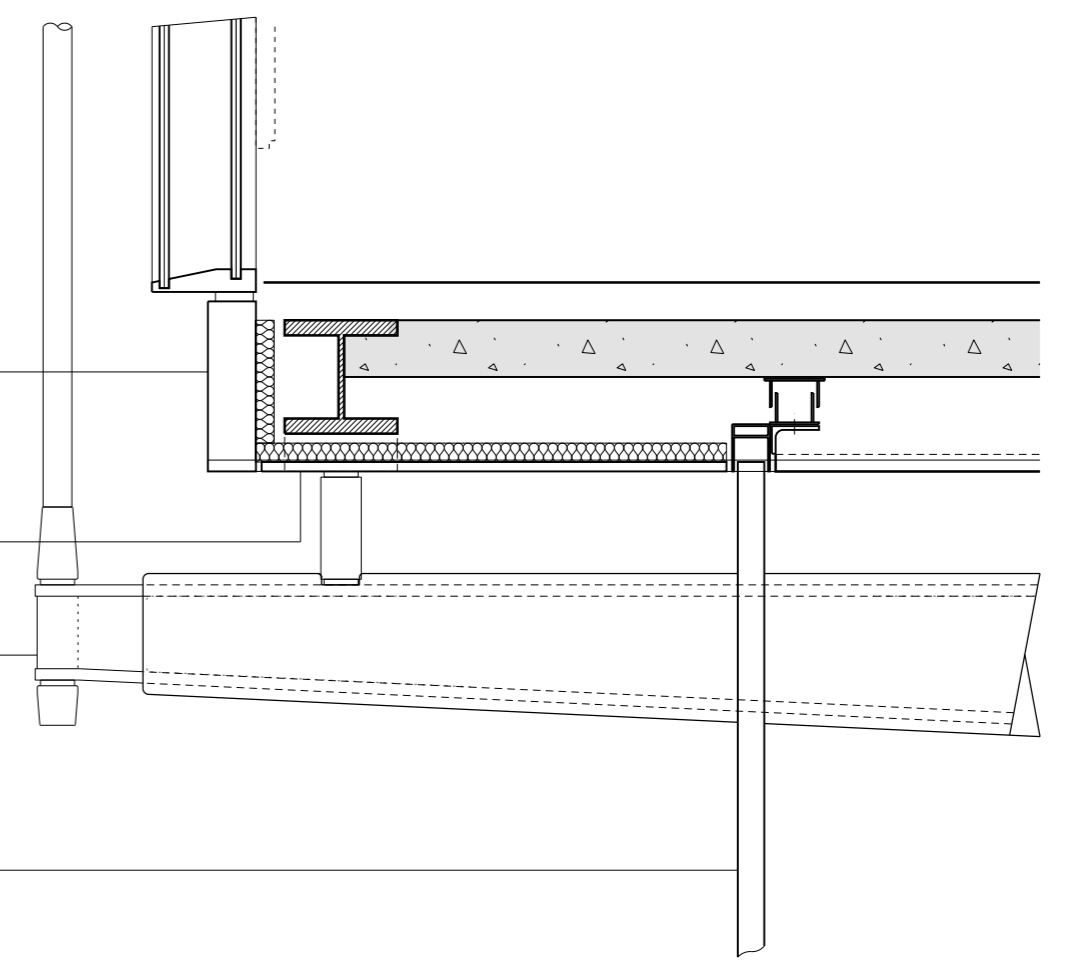
BEDROOM

Stainless steel Macalloy
hanger arm typical
Closed cavity facade system
with internal timber lining



BEDROOM

Engineered stone spandrel
Aluminium soffit
Level 1 beam with cast
intumescent 'jacket'
Restaurant full-height DGU



Skylight with elliptical beam
over Spa Pool Area

Bronze privacy fin on
granite plinth

